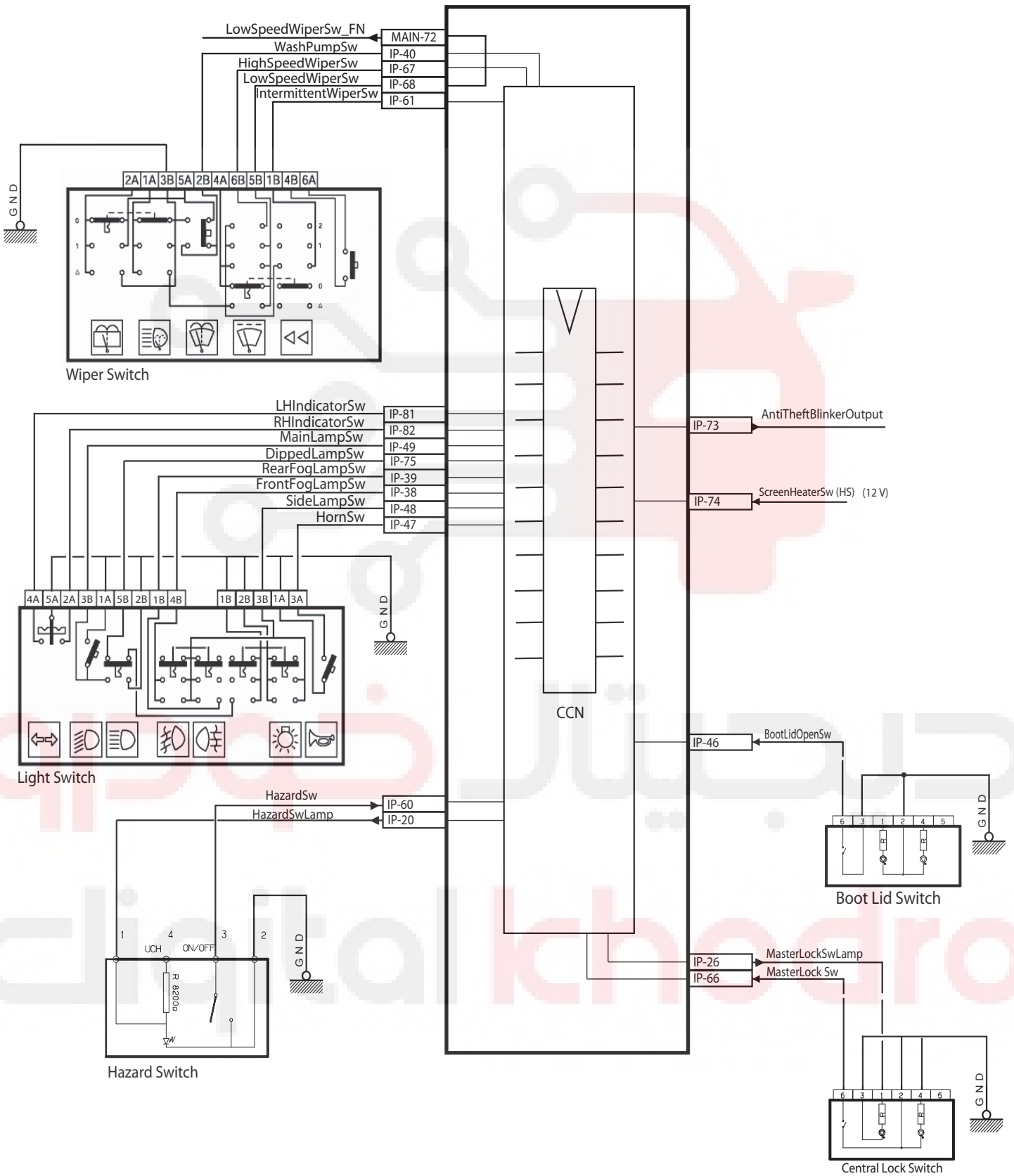
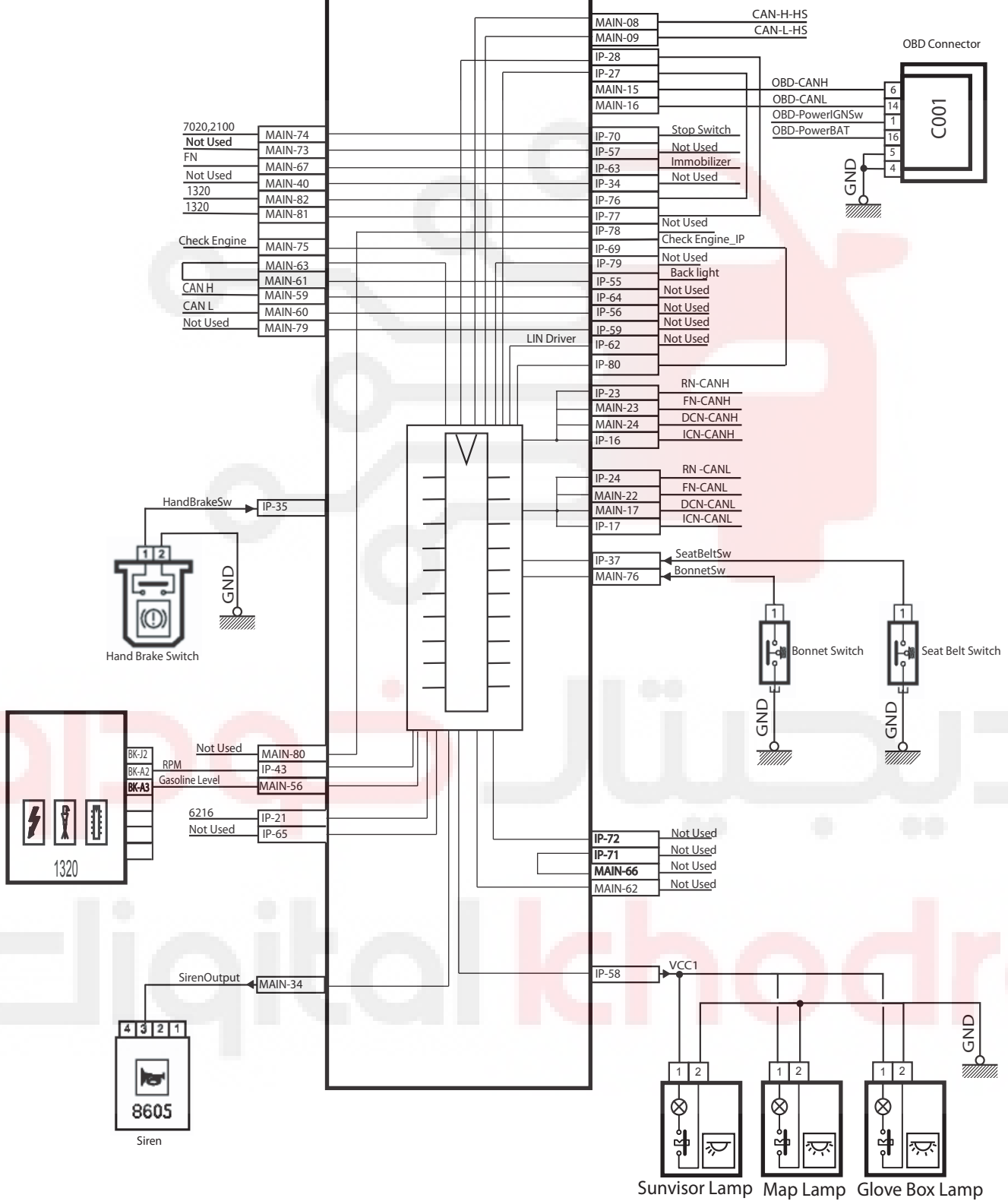


MAIN = 82W BK
IP = 82W GY

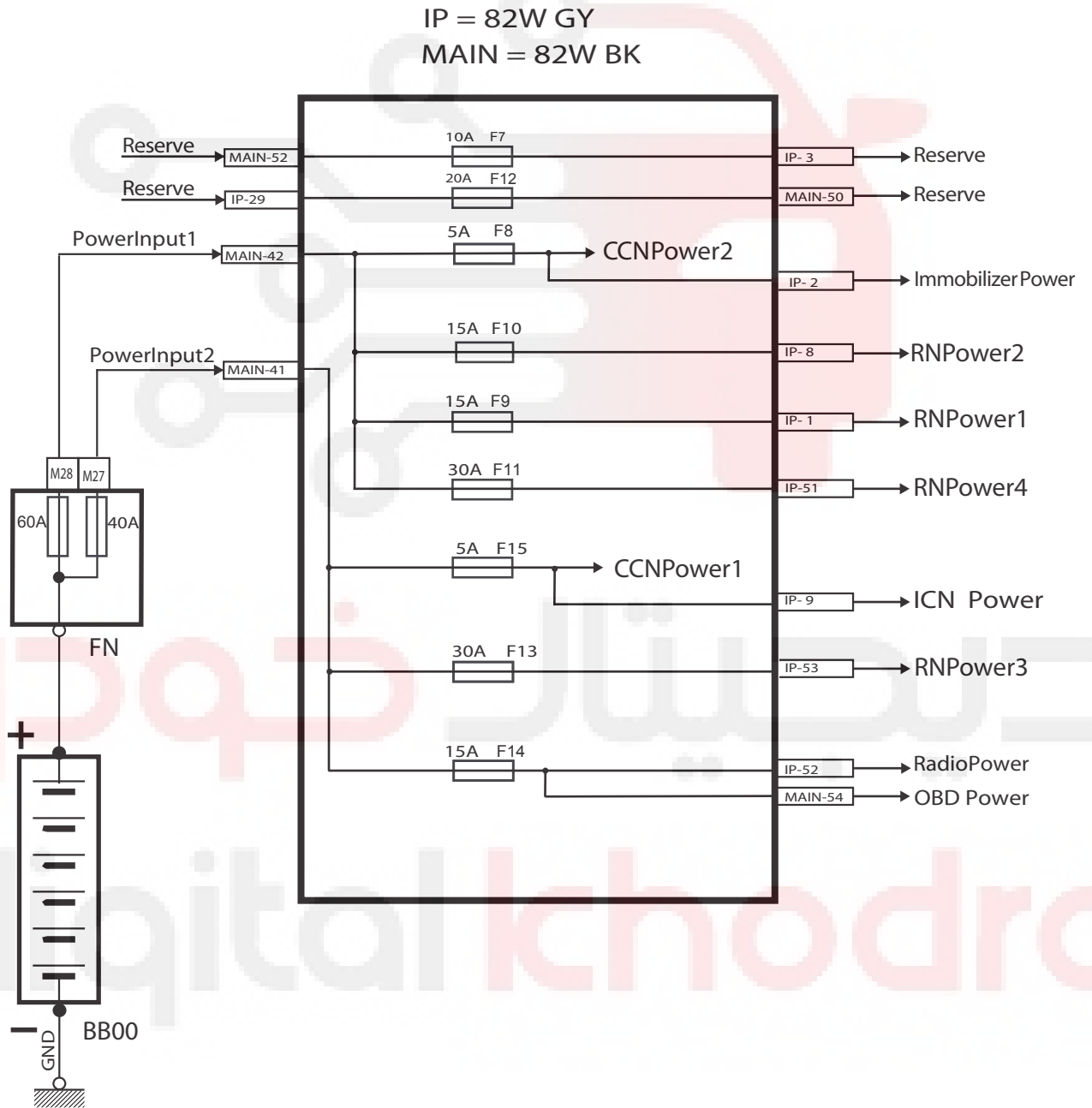


Node CCN- Samand SMS MUX

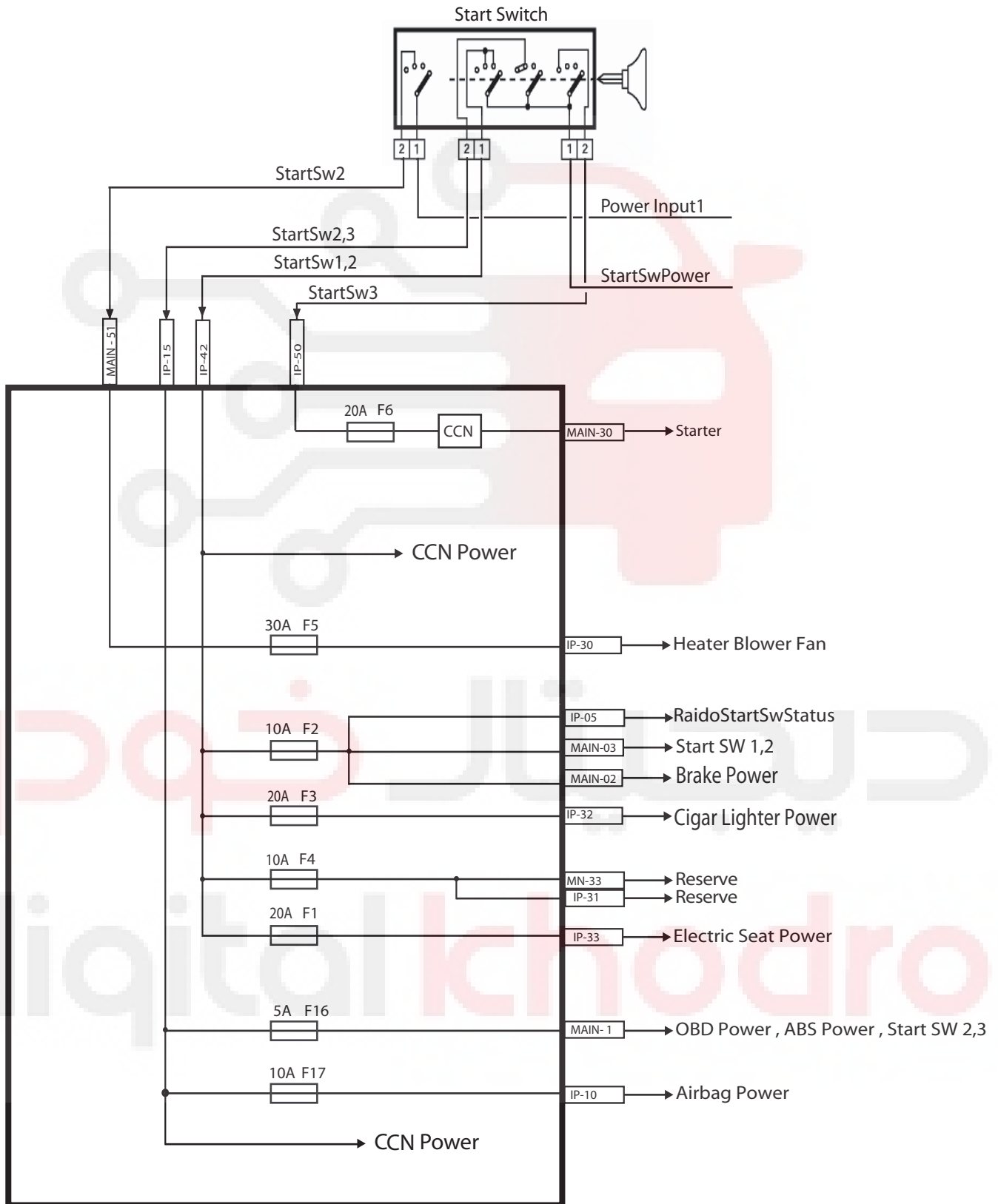
MAIN = 82W BK
IP = 82W GY



CCN Node - Samand SMS MUX



CCN Node - Samand SMS MUX



IP = 82W GY
MAIN = 82W BK