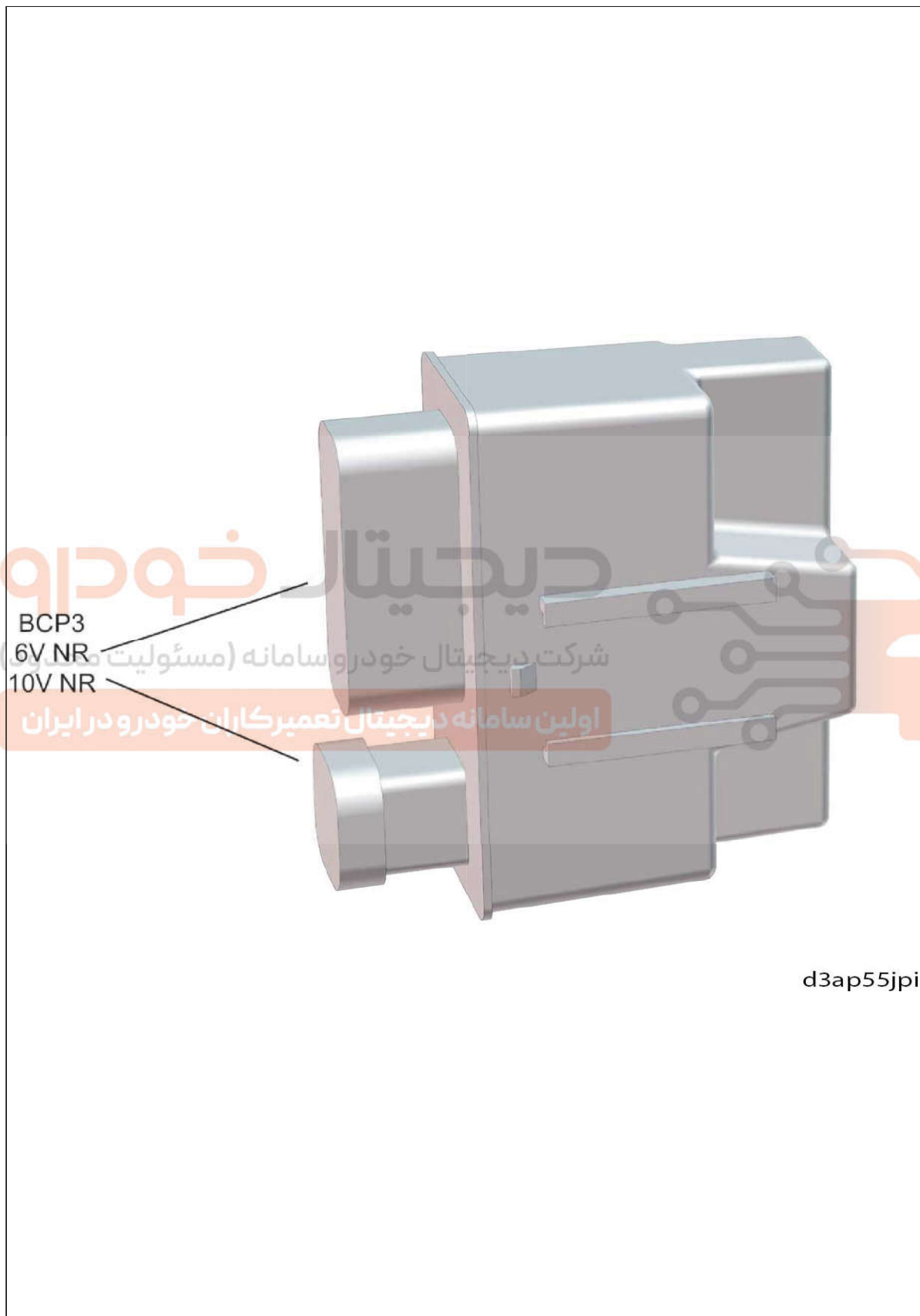
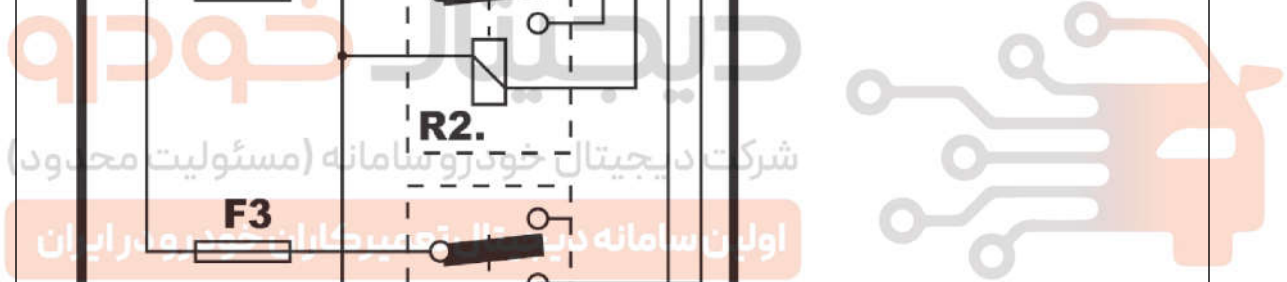
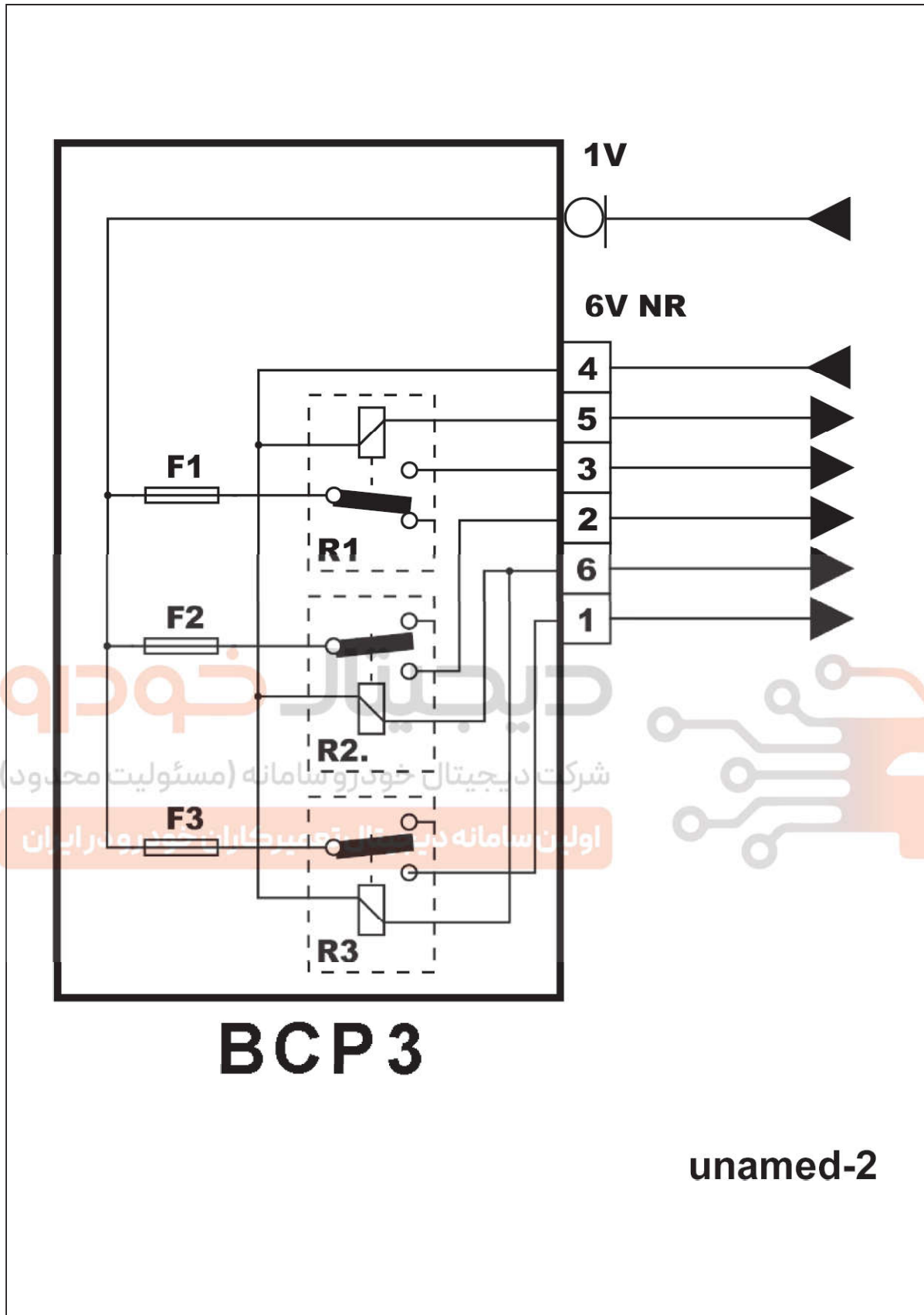


Allocation Of BCP3 Fuses



d3ap55jpi

Allocation Of BCP3 Fuses



unamed-2

allocation of BCP3 fuses			
fuse	A	supply	matching
F1	40A	+ permanent	cabin air heater resistor supply
F2	40A	+ permanent	cabin air heater resistor supply
F3	40A	+ permanent	cabin air heater resistor supply

Allocation Of BFRM Fuses

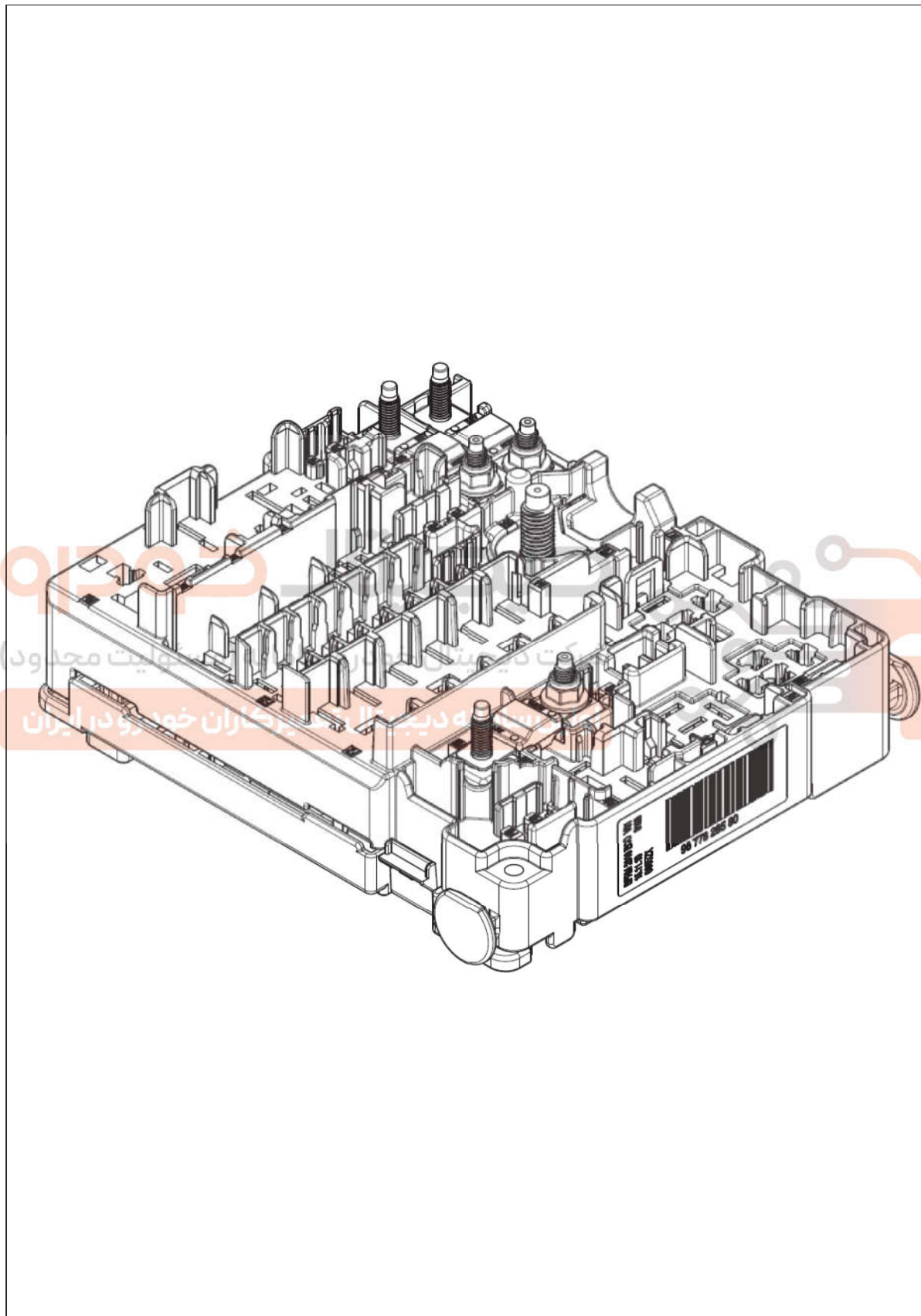
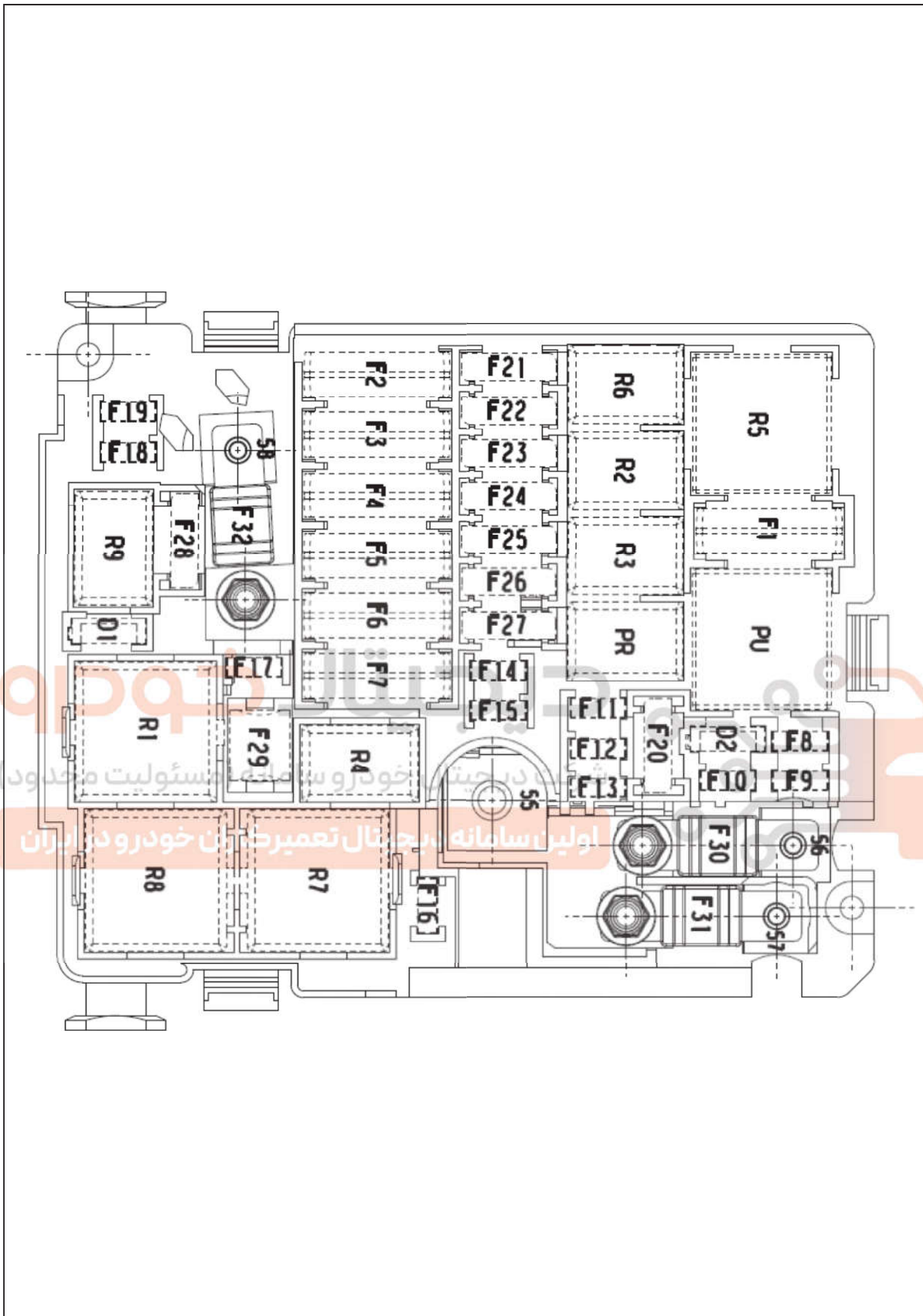
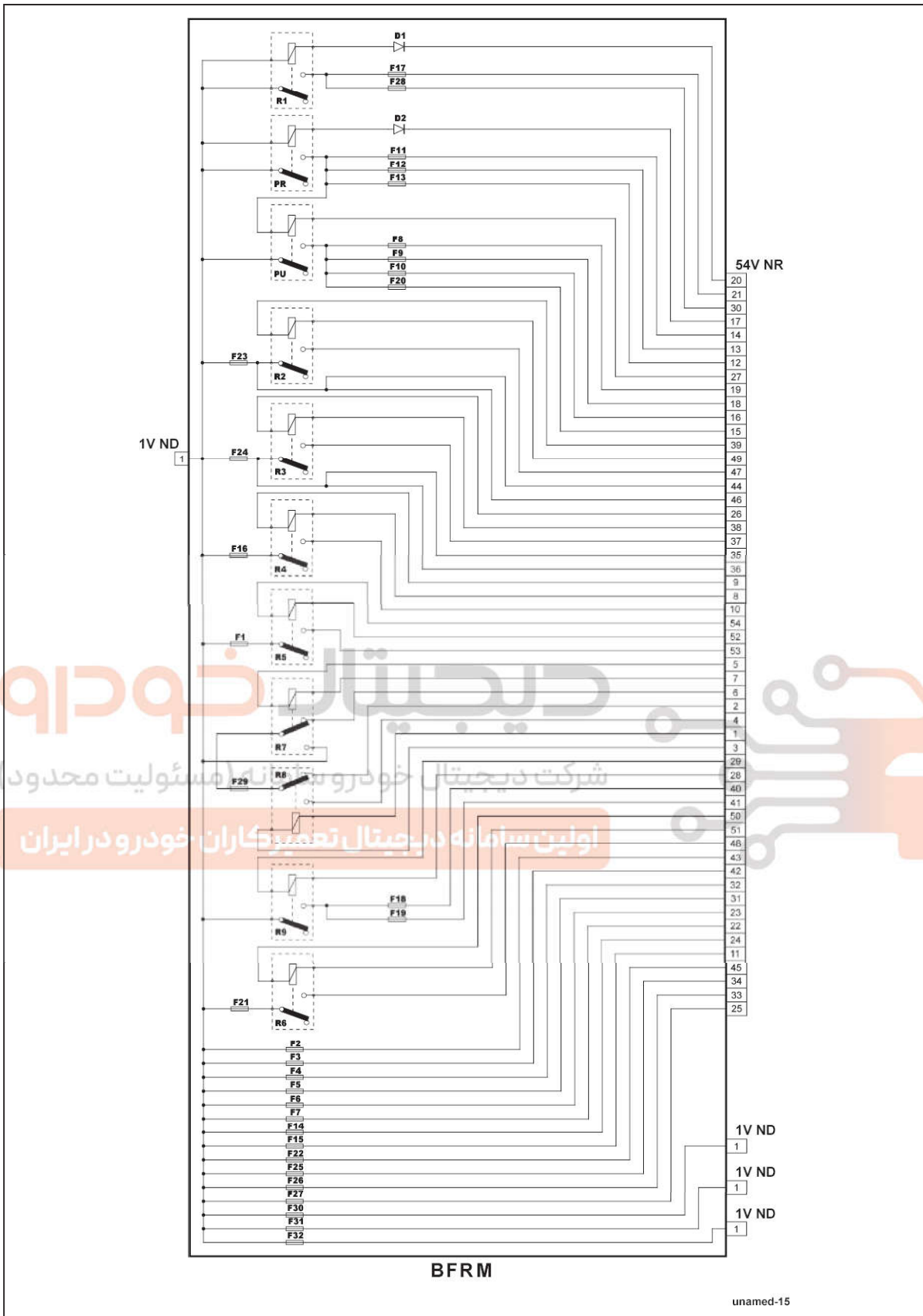


fig. D3AP59ZP

Allocation Of BFRM Fuses





allocation of BFRM fuses			
fuse	A	supply	matching
F1	40A	+ BATT	air conditioning ECU
F2	-	-	-
F3	70A	+ BATT	cabin relay fusebox BH12 - electric windows - heated seats
F4	80A	+ BATT	permanent supply 2;BH12 - cabin relay fusebox
F5	70A	+ BATT	built-in systems interface
F21	25A	+ BATT	starter motor
F7	70A	+ BATT	built-in systems interface
F8	15A	+ APC	engine management ECU
F9	15A	+ APC	engine management ECU
F10	15A	+ APC	engine management ECU
F11	20A	+ APC	engine management ECU
F6	60A	+ BATT	fan assembly
F12	5A	+ APC	cooling fan unit - vacuum pump control relay
F13	5A	+ APC	built-in systems interface
F22	40A	+ BATT	piloted manual gearbox ECU
F23	40A	+ BATT	ABS - ESP - central brake unit supply relay
F24	20A	+ BATT	ABS - ESP - central brake unit supply relay
PR	mini 25A	-	principal - cooling fan unit - engine management ECU
PU	power 50A	-	power - engine management ECU
R1	-	-	-
R2	mini 25A	-	heated rear screen control
R3	mini 25A	-	air conditioning compressor
R4	mini 25A	-	rear foglamp switch
R5	power 50A	-	fan control
R6	mini 25A	-	starting
R7	cubique 35A	-	built-in systems interface
R8	cubique 35A	-	windscreen wiper motor
R9	mini 25A	-	dual function dipped/main beam dipped headlamps
F14	15A	+ BATT	engine fuse and relay box
F15	5A	+ BATT	engine relay fusebox - air conditioning compressor relay
F16	15A	+ BATT	LH and RH front foglamps
F17	-	-	-
F18	10A	+ APC	right-hand headlamp
F19	10A	+ APC	left-hand headlamp
F25	30A	+ BATT	heated rear window relay
F26	15A	+ BATT	automatic transmission control unit
F27	25A	+ BATT	built-in systems interface
F28	-	-	-
F29	40A	+ APC	windscreen wiper motor
F30	-	+ BATT	pre-postheating control unit - vacuum pump relay
F31	-	+ BATT	CTP control unit
F32	-	+ BATT	electric power steering ECU

Allocation Of BH12 Fuses

